

ProFeeder with Mover



ProFeeder with Mover

Safe operation and easy changes.

The ProFeeder robotic cell consists of 1 basic module, Mover. The parts are centered in the mover plate (Mover quantity available based on the requirement), and are designed to accommodate all part types and different weights.

Product advantages

Increased production

The solution it possible to introduce light out production; the operator is in-formed of downtime by a text message

Increased Efficiency

Automated supply to the CNC machine ensures consistently high quality. The required man-hours for operation can be reduced from 8 hours to less than 1 hour.



Good investment

The typical return on investment is less than one year.

Quick series changes

ProFeeder is easily moved with a pallet lifter. quick change over time makes ProFeeder suitable for small and medium production

Robot Cell

The robot cell is the basic module of ProFeeder and provides a framework for the robot's location and it contains both the processed and unprocessed parts, as a station for the mover (ProFeeder and ProFeeder Multi).

The compact and mobile robot cell design offers maximum flexibility in the production. The robot can due to the design be placed on all three sides. The compact design ensures easy access to the production machines.

The robot cell is supplied with a range of solutions for control panels, tables and fixtures, which makes it suitable for the construction of complete and fully automated assembly cells



Mover

The mover is used to transport the parts to and from the ProFeeder, it is easy to lead the mover into the robot cell even when all parts are full.

The parts are centered in the robot cell.

When upgrading from ProFeeder to ProFeeder Multi the mover is upgraded with an elevation and displacement module.

A mover can adapt to the different shape of the component by changing the top fixture plate of the mover.

1

ProFeeder with Mover

Mover is suitable for all types of parts for processing

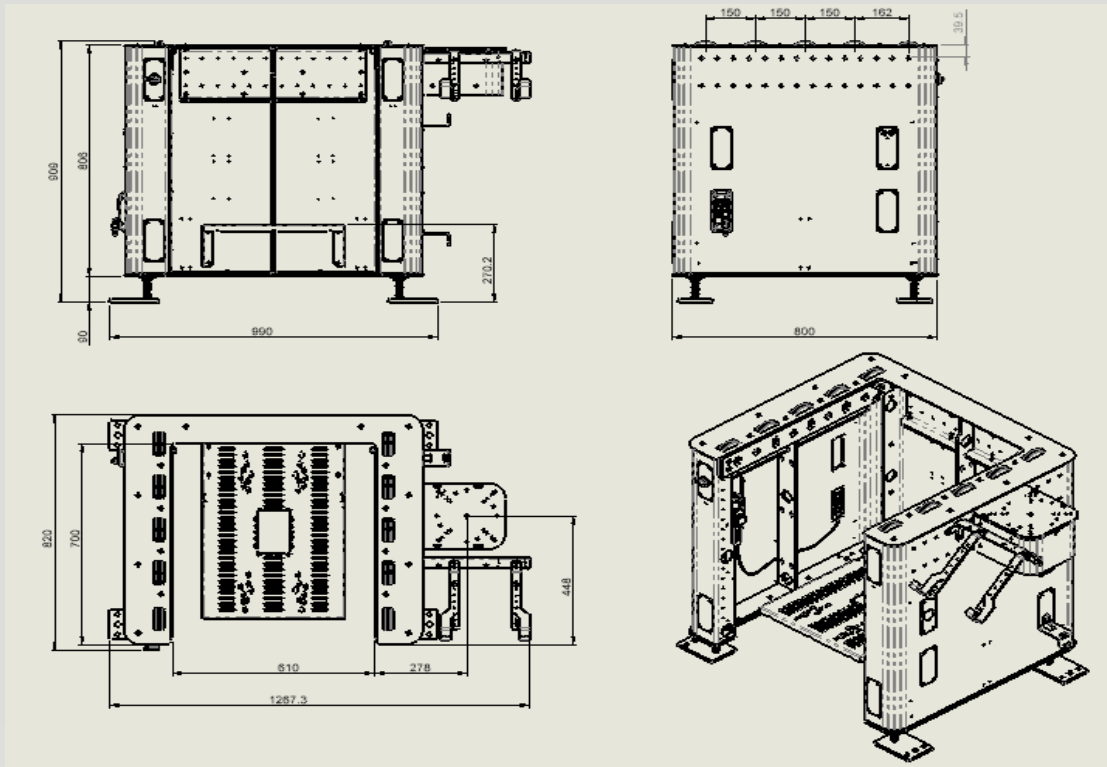
2

Mover

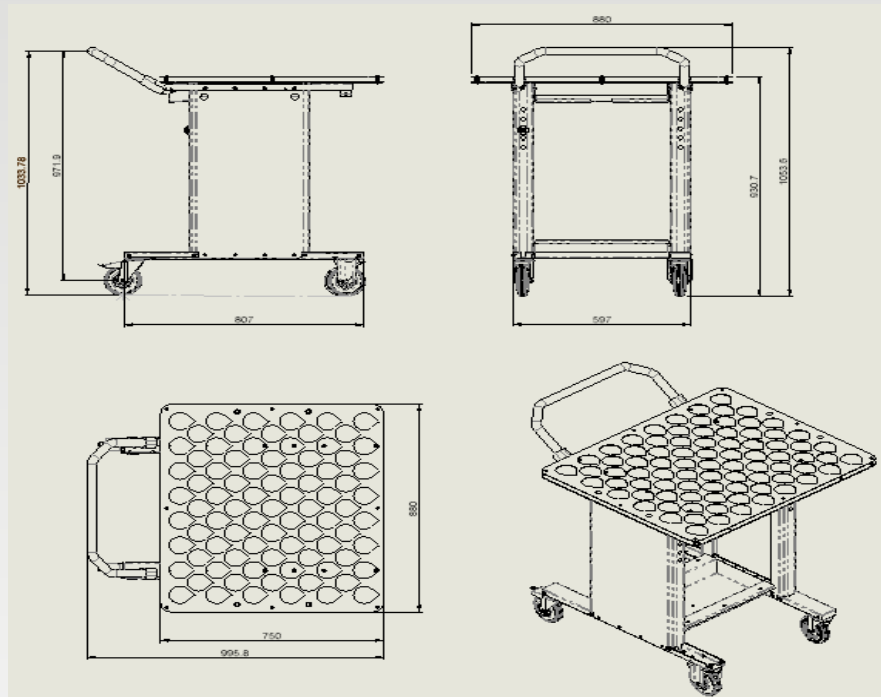
Mover quantity available based on the requirement

EasyRobotics
- we move your parts

Profeeder dimension details



Mover dimension details



Product Overview

PFM 1001	Profeeder with Mover (one mover)	H: 910 mm, W: 800 mm, L: 1268 mm, Wt: 200 kg, (without mover)
M 1002	Mover for PFM 1001	H: 1054 mm, W: 750 mm, L: 880 mm, Wt: 100 kg, (without the component)

Distributor

EasyRobotics®
- we move your parts

EasyRobotics ApS
Mommærkvej 5
DK-6400 Sønderborg
Phone: +45 31 25 06 02
info@easyIndustry.dk

