

EasyPedestal

Made to fixture any collaborative
robot brand



EasyRobotics®
- we move your parts

EasyPedestal

The EasyPedestal, is generic pedestal suitable for the most cobot brands on the market

The EasyPedestal from EasyRobotics a simple cost effective stand for the robot-arm. It's designed and constructed in a rigid steel construction. EasyPedestal is to be mounted on the floor in a fixed installation.

EasyPedestal can be used in combination with EasyRobotics ProFeeder Compact, ProFeeder X and the new ProFeeder Flex.

EasyPedestal is mounted on the floor with 8x8 mm screws in both stable and industrial arrangements.



Benefits:

There are several benefits which make the EasyPedestal the right choice to the industry;

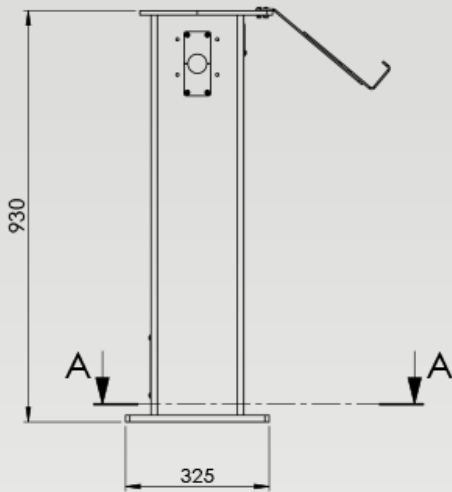
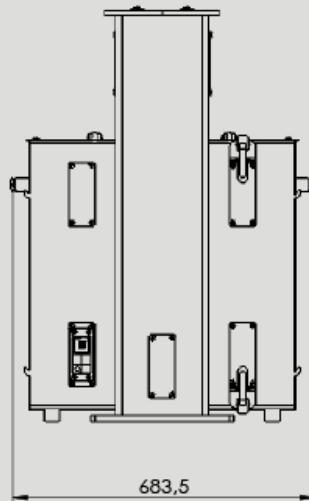
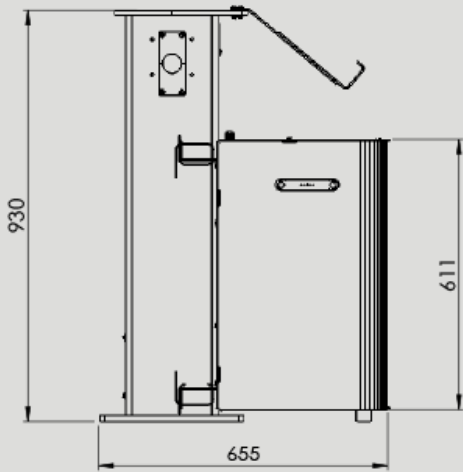
1. COMPACT – installation possible even in small spaces
2. STABLE - is made from solid metal, that ensures stability and durability
3. COST-EFFECTIVE - and even budget-friendly

Compatible and adoptive

- Is made to fixture any collaborative robot brand, such as: Doosan, Kassow, Hanwha, UR, Fanuc, Techman.

Controller compartment

- The front cabinet in PRO version of EasyPedestal is used to protect the robot-arm controller from external influences.



The EasyPedestal can be delivered with two options

- BASE - Without cabinet.
- PRO - With controller cabinet.



Product order overview

ER1003	ER Pedestal Base	Height: 925 mm TP bracket weight 70 Kg
ER1005	ER Pedestal PRO	Compartment for controller and TP bracket 70 Kg

Danish manufacturer and supplier of robotic cells for all types of automation.

EasyRobotics®
- we move your parts

EasyRobotics ApS
Mommarkvej 5
DK-6400 Sønderborg
Phone: +45 31 25 06 02
info@easyrobotics.dk
www.easyrobotics.biz

