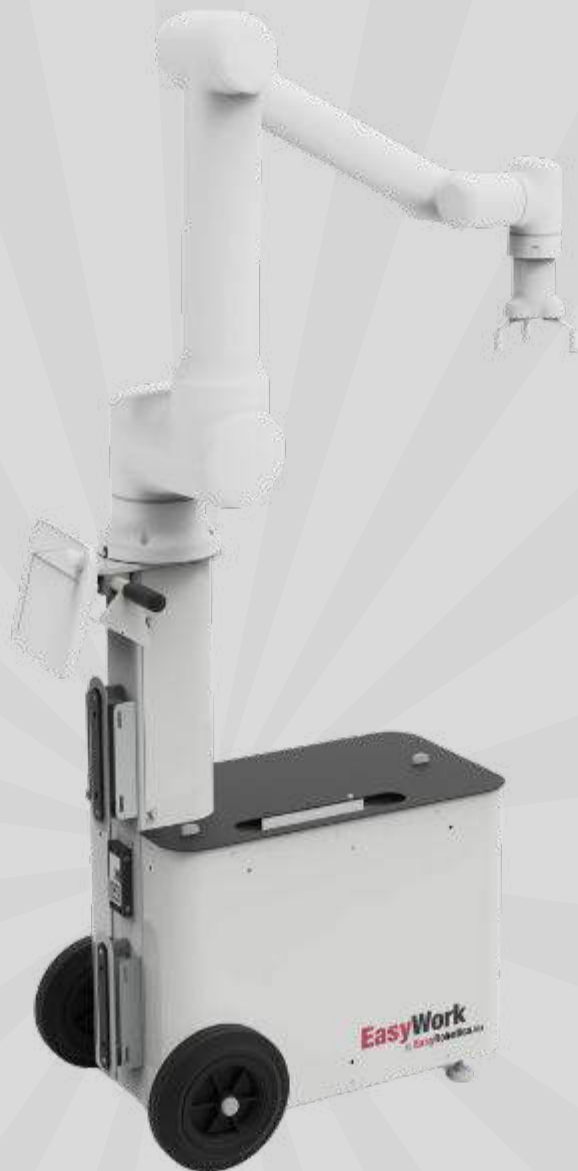


EasyWork

EasyWork series from EasyRobotics, is a series of mobile cobot platforms developed to maximize mobility and flexibility in robotic automation.



Introduction

EasyWork is — a portable robot platform designed for flexible industrial automation. It is used in fully or partly automated production environments that demand enhanced flexibility and fast integration.

The EasyWork workstation is designed for maximum mobility and quick installation, making it a practical solution for modern production environments. Equipped with integrated wheels and convenient handholds, it can be easily transported and deployed anywhere within a facility without requiring complex setup. One of its key advantages is that it arrives fully assembled—just mount the robot arm, and the station is ready for operation or demonstration. This seamless setup makes EasyWork ideal for flexible manufacturing, trade shows, and on-site presentations where efficiency is essential.



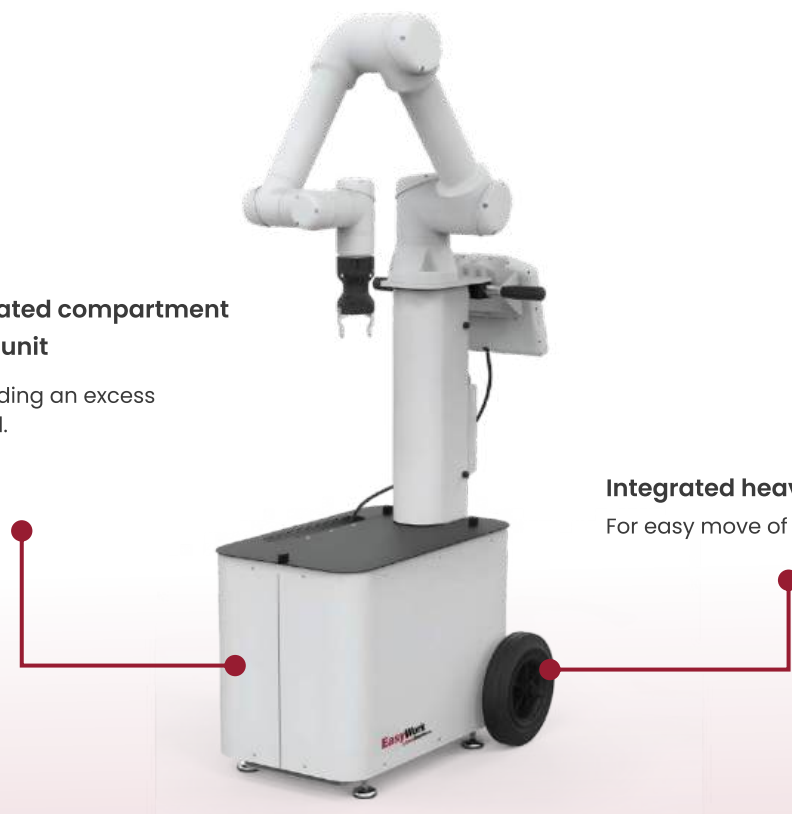
Features of EasyWeld Station

Integrated ventilated compartment for the controller unit

Offers space for adding an excess cable with the Tpad.

Integrated heavy duty rubber wheels

For easy move of fully mounted cobot.



Plug and Produce

Due to the EasyWork built-in handle and heavy duty wheels, cobots can easily be moved and deployed by one person, pulling a fully mounted cobot on the EasyWork platform between the machines, when testing the current or a new layout and production flow.

The EasyWork, all-in-one integrated solution, is part of the EasyRobotics' product range also consisting of ProFeeder, which as EasyWork enables robot automation in small and medium sized companies.

Single-person handling

EasyWork fits fully mounted with a UR cobot in the boot of a van and can be loaded in and out of the boot. Optional.



Multifunctional handle works

T-pad holder, handle for transport and easy placement of extra rollers for storing in e.g. trunks of vehicles. Optional feature.



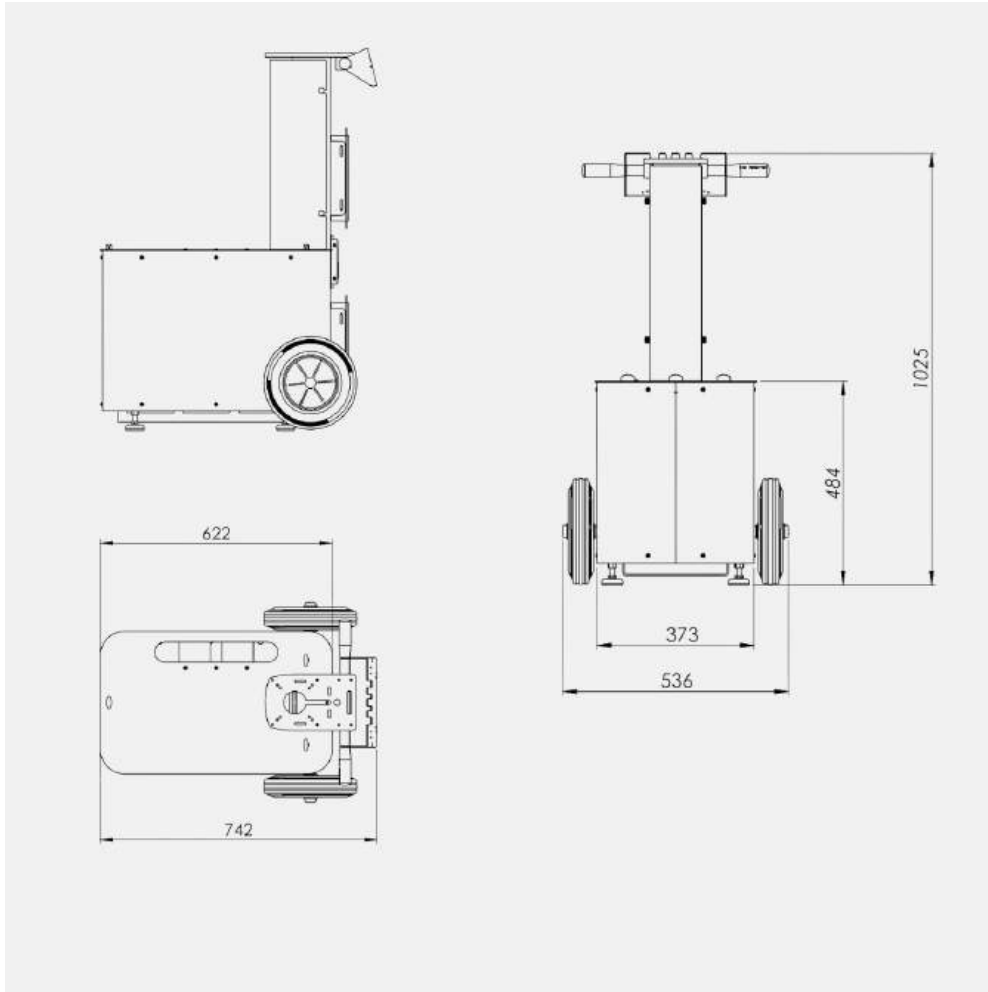
Integrated cord winder and foot pad

- Ensuring high safety in productions
- No loose cords.
- Easy tilting and moving of EasyWork.



Stable Support

To achieve stability the EasyWork has four adjustable foot stands. The rubber wheel is lifted from the ground.



Product Order Overview

ER-1004-00	EasyWork	H: 1012 mm, W: 540 mm, L: 740 mm, Wt: 52 kg, T-Pad bracket, Compartment for controller, *only for UR and Doosan A-series
------------	----------	--

EasyRobotics®

- we move your parts

EasyRobotics ApS

Tinggårdvej 1,

6400 Sønderborg, Denmark

E-Mail: info@easyrobotics.dk

Phone: +45 53770267

Web: www.easyrobotics.biz