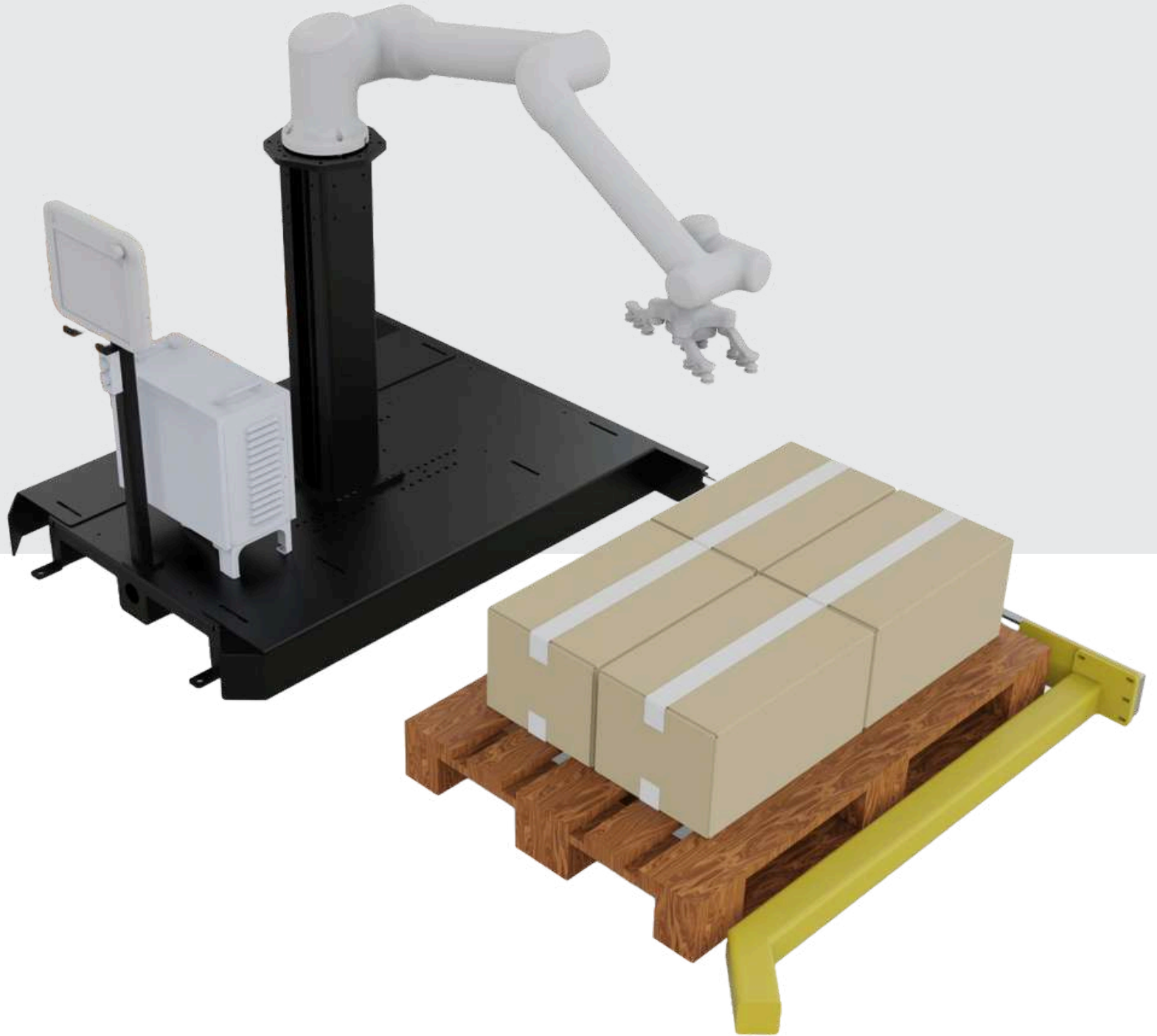


EasyPalletizer Basic



EasyRobotics®
- we move your parts

EasyPalletizer Basic

The Palletizer Basic is the latest addition to the popular palletizing series from EasyRobotics. Designed with simplicity, reliability, and efficiency in mind, this compact and robust palletizing unit offers an ideal solution for businesses prioritizing straightforward automation.

Its durable steel construction ensures long-lasting performance, while its mobility allows for seamless integration into dynamic production environments.

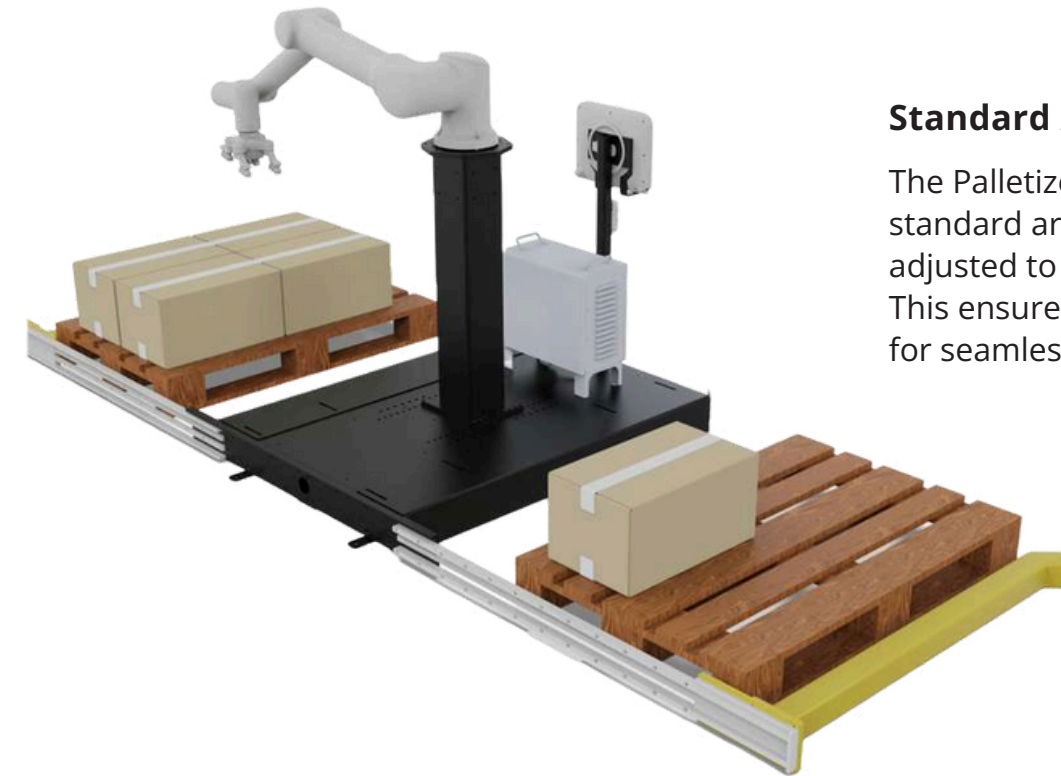


Why Choose Palletizer Basic?

- **Simplicity:** streamline palletizing operations with a 100% mechanical solution.
- **Flexibility:** Compatible with all major robot brands, the Palletizer Basic features adjustable components, enabling its use with various pallet and robot sizes.
- **Compact Design:** Its minimalistic footprint ensures space efficiency, making it perfect for operations where space is a premium.

Three Pedestal Options to Suit Your Needs

- **PTB-1002:** Fixed pedestal at 835mm.
- **PTB-1003:** Fixed pedestal at 1200mm.
- **PTB-1004:** Lifting column adjustable from 876mm to 1776mm.



Standard Arms for Pallet Docking

The Palletizer Basic comes equipped with standard arms for pallet docking, which can be adjusted to accommodate various pallet sizes. This ensures adaptability and precise alignment for seamless operations.

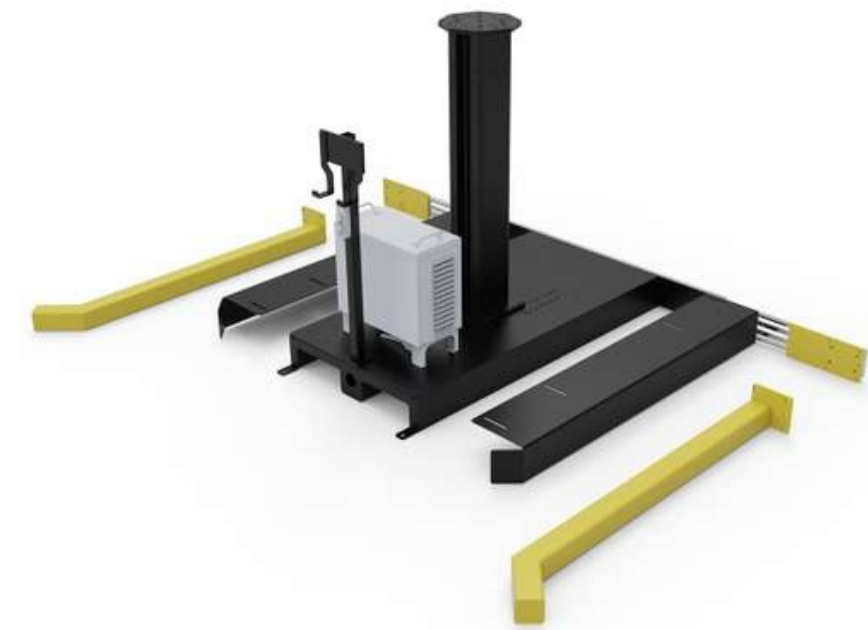
Adjustable Base for Enhanced Flexibility

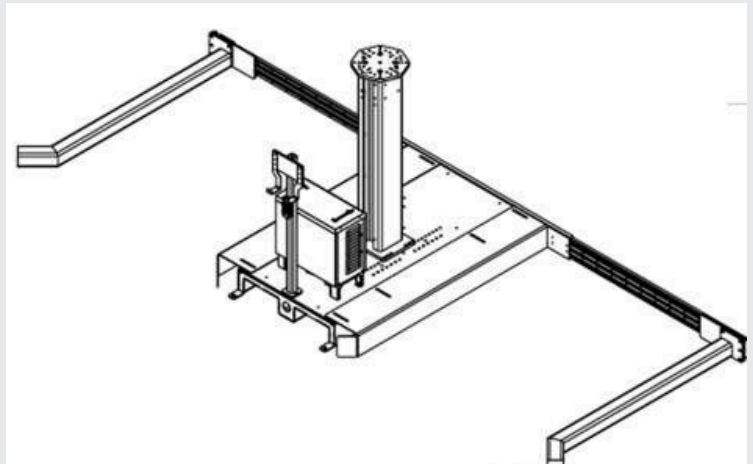
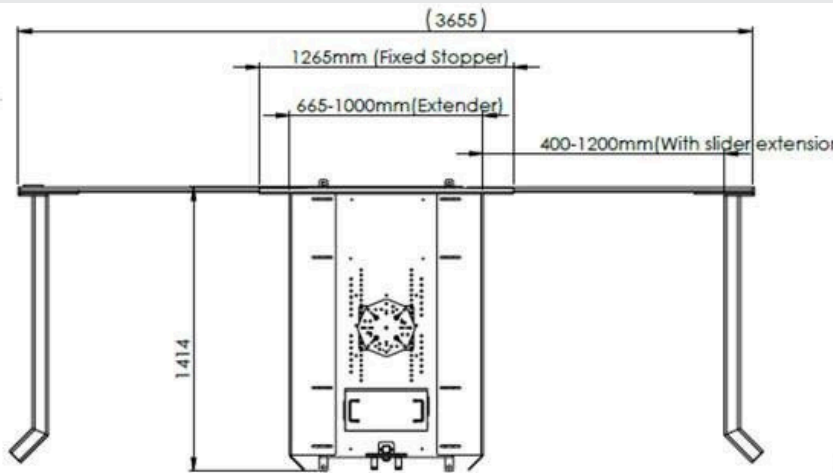
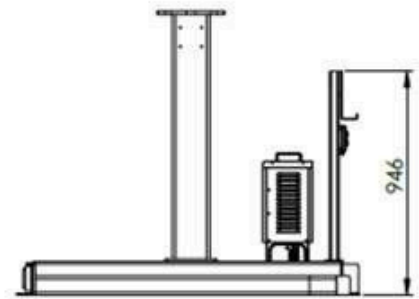
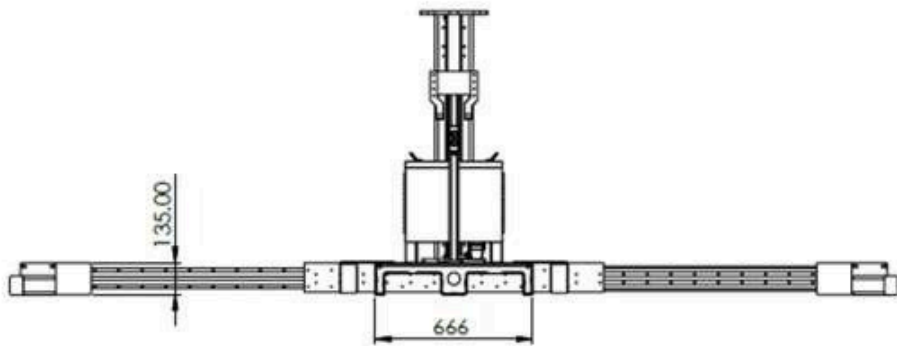
The base unit is designed with an adjustable foundation, allowing users to position pallets closer to or farther from the robot's center point. This feature enhances flexibility and ensures compatibility with diverse operational setups. Additionally, the unit can be mounted with a bracket to support optional safety scanners for improved workplace safety.



Adjustable Base for Enhanced Flexibility

For industries with specific hygiene or durability requirements, the Palletizer Basic can be delivered in stainless steel upon special request. This option provides enhanced resistance to corrosion and meets stringent industry standards.





Product order overview

PTB-1001	EasyPalletizer Basic without Pedestal	H: 835 mm, W: 870, L: 1350, Wt: 200 kg, For 2 pallets with with two adjustable Pallet Grid, without Pedestal
PTB-1002	EasyPalletizer Basic with fixed pedestal 865mm	H: 865 mm, W: 870, L: 1350, Wt: 200 kg, For 2 pallets with with two adjustable Pallet Grid, Fixed pedestal 865 mm
PTB-1003	EasyPalletizer Basic with fixed pedestal 1200mm	H: 835 mm, W: 870, L: 1350, Wt: 200 kg, For 2 pallets with with two adjustable Pallet Grid, Fixed pedestal 1200 mm
PTB-1004	EasyPalletizer Basic with Lifting column 876-1776mm	H: 835 mm, W: 870, L: 1350, Wt: 200 kg, For 2 pallets with with two adjustable Pallet Grid, Lifting column 876-1776 mm

Distributor

Manufacturer and supplier of robotic cells for all types of automation.

EasyRobotics®
- we move your parts



EasyRobotics ApS
Tinggårdvej 1, 6400
Sønderborg, Denmark
Phone: +45 53 77 02 67
info@easyrobotics.dk
www.easyrobotics.biz

